




ICS WIS

SDS SHANK QUICK RELEASE ADAPTERS

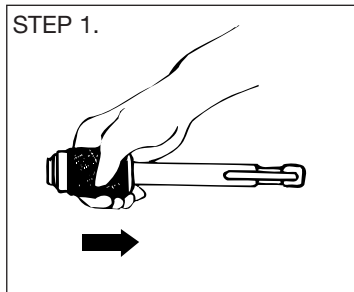
ADAPTERS FOR HILTI TE-12, 17, 22, SDS, AND RAMSET

SDS Shank adapters allow you to use 2 slot and 4 slot shank masonry drills with different models of electric hammer drills. Each shank configuration will fit the hammer drill model No.'s listed.

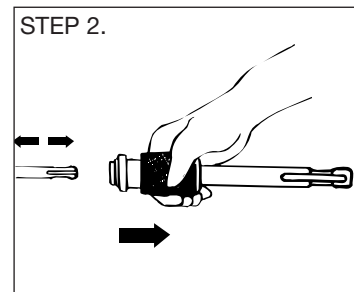
DESCRIPTION	FITS HAMMER MODEL	ITEM NO.	PRICE
	Fits all popular spline drive power tools. See pages 162-163 for complete listing.	SDS-Spline	94.08
	Hilti TE 52, 60 Hilti TE 70, 92	SDS-TE60	98.56
	Bosch 11216, SDS-MAX Hilti TE 64, TE-Y Hilti TE 52, 60 Hilti TE 72, 92	SDS-MAX	107.52

Important: Adapters are designed for intermittent use. A power loss of 10-15% and increased bit wear of 15-20% will result when using adapters.

HOW TO USE SDS QUICK RELEASE SHANK ADAPTERS



STEP 1.
Pull back locking sleeve.



STEP 2.
Use this position to insert or remove drill bit.