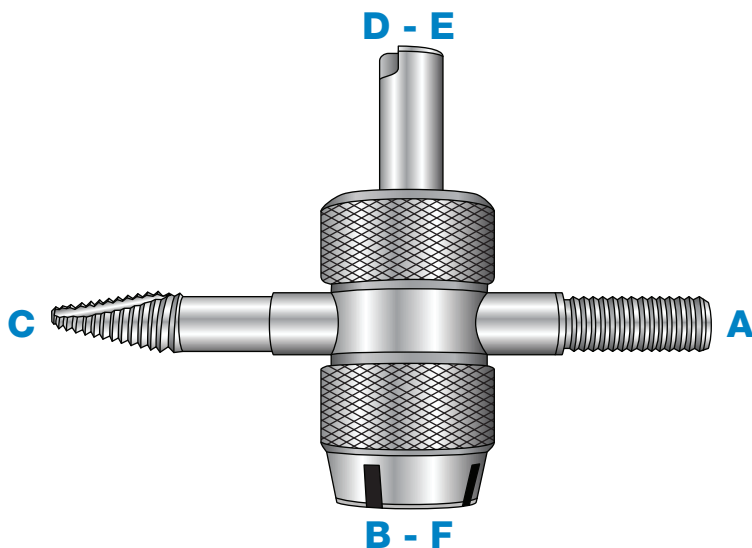


TOOL STEEL
COMBINATION VALVE CORE TOOL

ICS WIS

SPECIAL PURPOSE



The Combination Valve Core Tool was designed to be a 6 in 1 valve tool.

USES

- (A) Rethreading inside of a valve stem
- (B) Rethreading outside of a valve stem
- (C) A screw extractor to remove valve cores even if shoulders are broken
- (D) Removal of valve cores
- (E) Insertion of valve cores
- (F) For use as a T-handle to pull tire valve into rim hole

A handy tool for any mechanic. It is made of tool steel for long life and durability.

ITEM NO.	DESCRIPTION	PRICE
CVCT	6 in 1 Combination Valve Core Tool	3.14